

FEATURES

- Solid brass construction
- Aerated water flow
- Square handshower
- 5' reinforced Polish chrome pvc hose
- Pull-button on the side of spout
- Ceramic cartridge #ABCA86499
- 1/2" connection
- Featuring "easy-fit" system

FINISHES

Standard

- Polished chrome (pc)
- Brush nickel (bn)

Custom

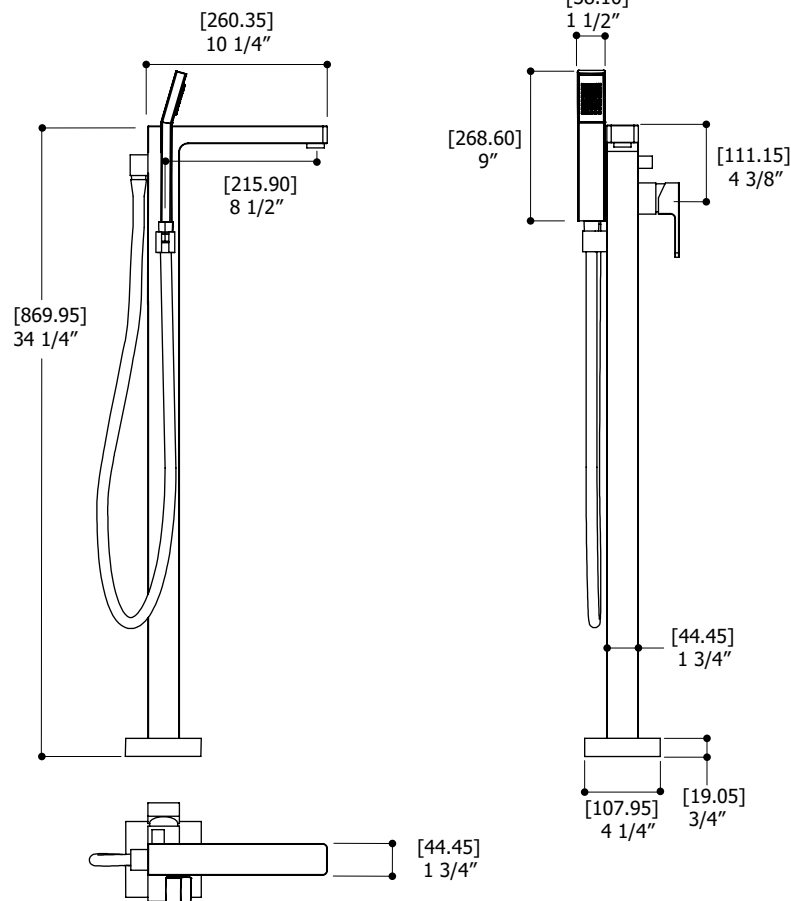
- 15 custom finishes available
- (ask your local Aquabrace authorized dealer for details)

WARRANTY

- Residential: limited lifetime warranty to original purchaser
- Commercial: two years warranty
- (Complete warranty available at www.aquabrace.com/warranty)

SPECS AT LARGE

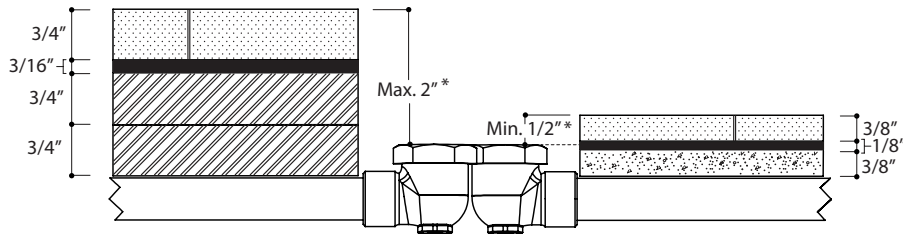
Overall spout projection: 10 1/4"	Flow rate tub filler: 4.5 gpm
CC spout projection: 8 1/2"	Flow rate handshower: 2.5 gpm
Total faucet height: 34 1/4"	Mounting hole: 1 3/8"



AQUABRASS

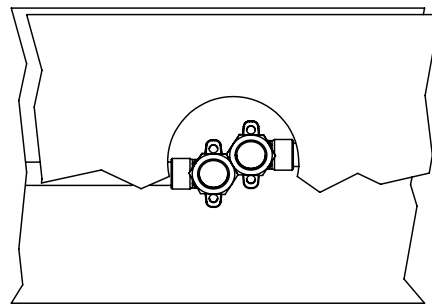
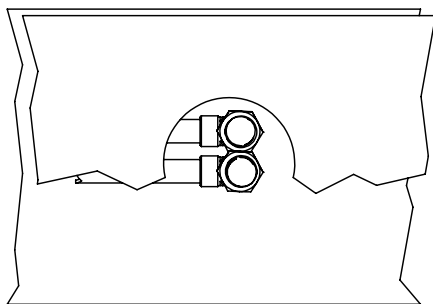
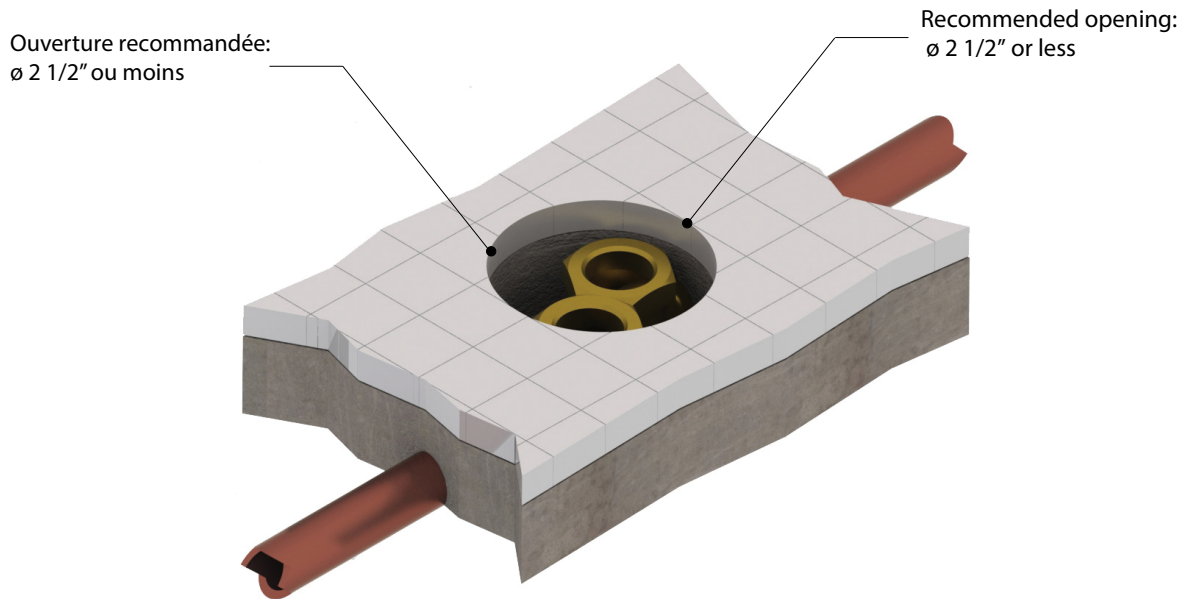
"EASY FIT"

a job-site friendly installation system



* If set deeper, use standard commercially available male-female extension

* Si c'est plus profond, utiliser une extension mâle-femelle standard



Optimize your rough configuration for a minimum C-C between hot & cold inlets (see examples).
The orientation of the pair of supply connections is independent from the final spout position.

Optimiser la configuration du brut pour minimiser le C-C entre l'entrée d'eau chaude et froide.
L'orientation des alimentations n'a aucun impact sur la direction finale du bec.