

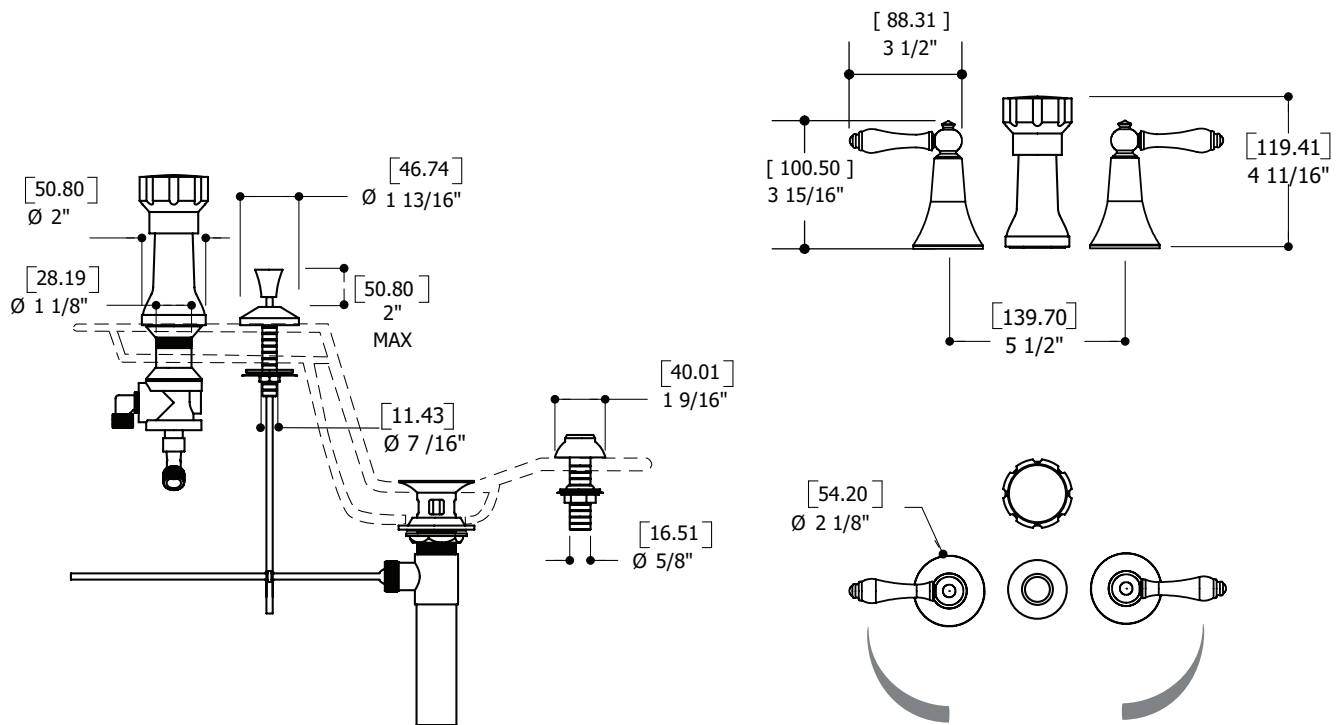
## Installation Guide

---

### *Guide d'installation*



## General Dimensions / Dimensions générales



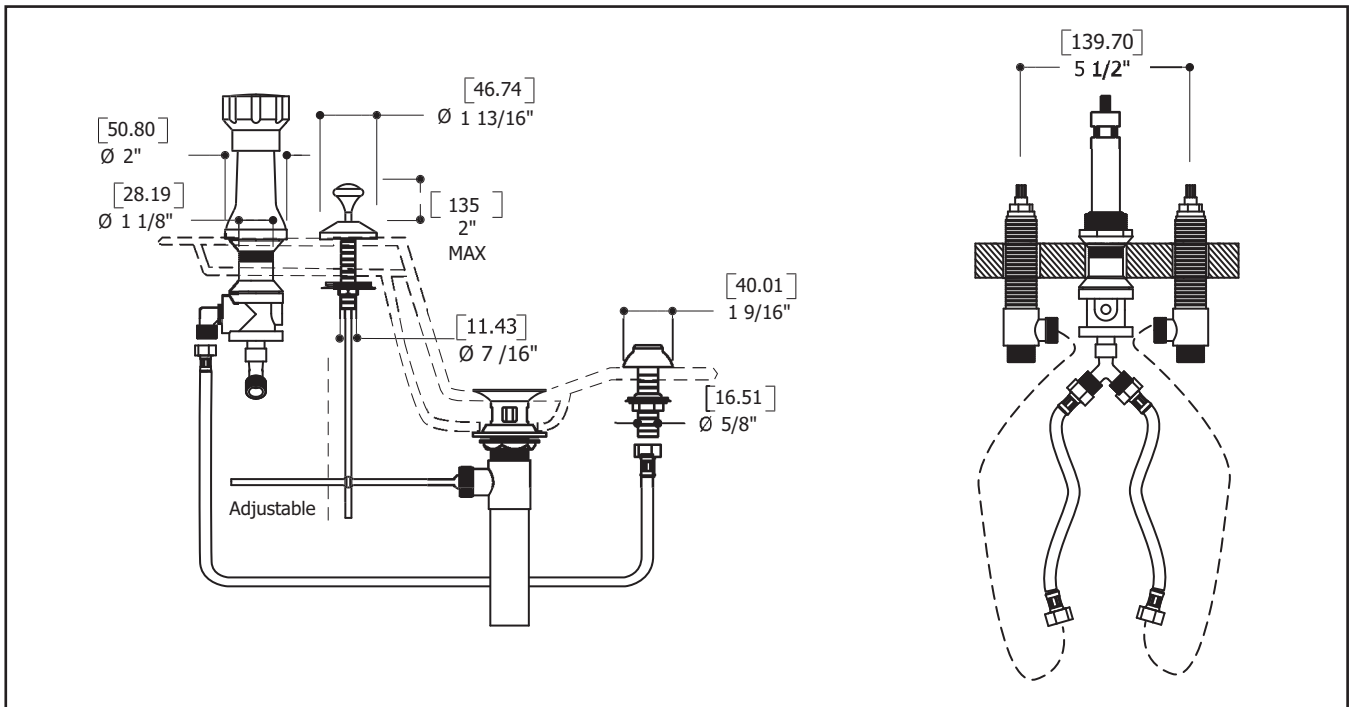
CAUTION: FOR BEST RESULTS, WE STRONGLY RECOMMEND THE INSTALLATION OF THIS FAUCET BE DONE BY A LICENSED PROFESSIONAL PLUMBER.

MISE EN GARDE : POUR OBTENIR UN RÉSULTAT OPTIMAL, NOUS RECOMMANDONS FORTEMENT QUE L'INSTALLATION DE CE ROBINET SOIT FAITE PAR UN PLOMBIER PROFESSIONNEL ACCRÉDITÉ.



CAUTION: MAKE SURE TO PROPERLY FLUSH THE HOT AND COLD WATER SUPPLY LINES PRIOR TO STARTING INSTALLATION.

MISE EN GARDE : ASSUREZ-VOUS DE BIEN PURGER L'ALIMENTATION EN EAU CHAUDE & FROIDE AVANT DE COMMENCER L'INSTALLATION.



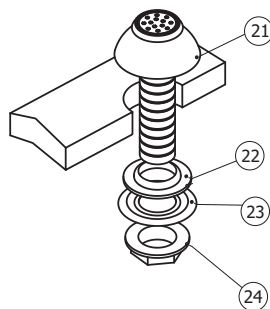
**ATTENTION: MAKE SURE TO FLUSH THE HOT AND COLD WATER SUPPLY LINES BEFORE BEGINNING THE INSTALLATION.**

## 1 MOUNTING THE VERTICAL SPRAY

**A.** Apply a ring of plumbers putty to the underside of the vertical spray (21).

**B.** Insert the vertical spray inside the bowl.

**C.** From underneath, slide the rubber washer (22), the metal washer (23) and tighten firmly with hexagonal nut (24).



## 2 INSTALLING THE DRAIN

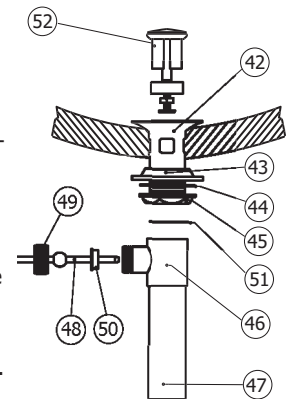
**A.** Apply a ring of plumbers putty around the upper part of the drain (42) and insert it in the drain hole.

**B.** From underneath, slide the cone shaped washer (43) over the drain body with the cone side up. Now add the friction washer (44) and secure the drain in position by threading on the hexagonal nut (45). Do not overtighten. Wipe off the excess putty with a clean soft cloth.

**C.** Thread on the T section (46) of the drain. Make sure the washer (51) is there to seal properly. You will need to position the T towards the back of the bidet in order to connect the pop up rod.

**D.** Slide the horizontal rod (48) with the nylon washer (50) into the T and secure in place with the compression nut (49).

**E.** Thread on the tail piece (47). Make sure the connection is properly sealed.

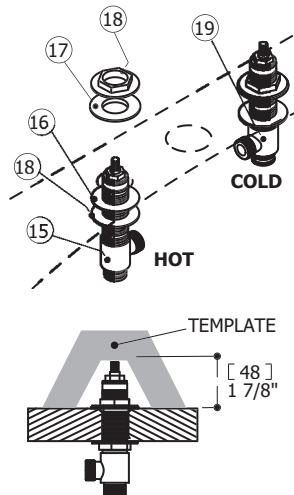


### 3 MOUNTING THE HOT AND COLD VALVES

**A.** Each faucet is supplied with a hot and cold valve. Make sure you mount hot (15) on the LH and cold (19) on the RH when facing the bidet.

**B.** Take the hot valve (15) and mount the first hexagonal nut (18) halfway down valve body with flat surface up. Take the rubber washer (16) and secure on valve with rim side up. Push through the under side of the bidet and secure with fiber washer (17) and then hexagonal nut (18). Do not tighten until you have set the proper valve height. Use the cardboard template provided. This will give you the exact measurement necessary to mount trim. You may have to adjust bottom nut and washer (16) (18) up or down. Now you can secure valve tightly in place from the top of the bidet.

**C.** Do the same on cold valve (19). Make sure your valve outlets are directed towards the vacuum breaker

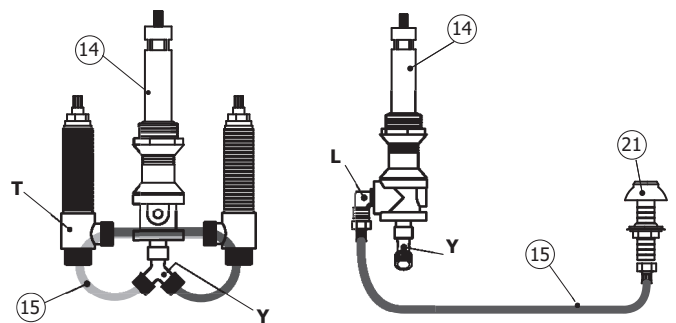


### 5 CONNECTING THE FLEXIBLE HOSES

**A.** Check the flexible hoses for washers. Install if necessary.

**B.** Connect the flexible hoses (15) to the outlet of the **T** on the hot/cold valves (1/2") and to the **Y** of the vacuum breaker (3/8"). Install the hoses carefully without twisting.

**C.** Connect the flexible hose (15) to the **L** of the vacuum breaker (14) and to the vertical spray (21).



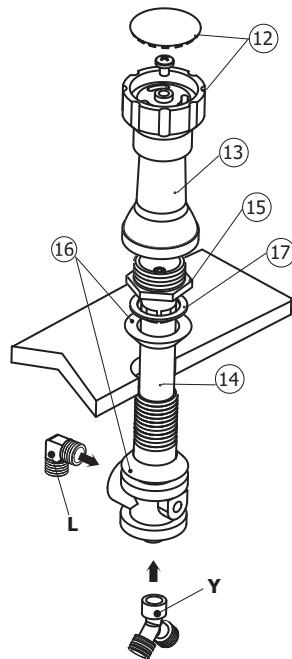
### 4 THE VACUUM BREAKER-DIVERTER

**A.** First, you need to prepare the black plastic diverter (14). Install the "L" elbow into the side outlet of the diverter with the arrow pointing out. This is a tapered fitting and you need to seal firmly in place pointing down. You will feed your bidet spray with this outlet.

**B.** Next, take the "Y" connection and thread it onto the nipple end at the bottom of the diverter. Make sure the black washer is inside to seal. Tighten firmly. The hot and cold valves will feed the "Y" inlets.

**C.** Now you are ready to mount the diverter (14). Slide one of the coned shaped washers (16) over the body (cone shape up). From underneath the bidet, slide the body through the appropriate hole and secure firmly from the top with the second coned shape washer (16) (cone down), friction washer (17) and tie down nut (15). Tighten firmly.

**D.** Finally, thread the finished trim collar (13) on the body of the diverter (14). Mount the handle (12) on the broach and tie down with the screw and cap.

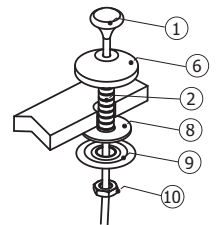


### 6 POP UP GUIDE INSTALLATION

**A.** Insert the guide flange (6) and the threaded tube (2) through the designated bidet hole.

**B.** From underneath, secure it in place with rubber washer (8), metal washer (9) and tighten firmly with hexagonal nut (10).

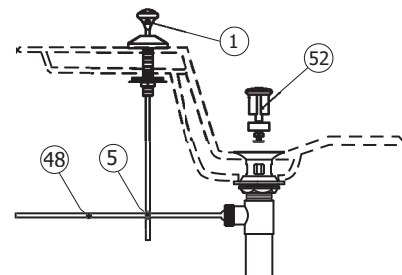
**C.** Slide the pop up rod (1) in the hole of the guide flange (6).



### 7 INSTALLING THE POP UP ROD TO DRAIN

**A.** Slide drain clip (5) on the horizontal rod (48) and connect in place with popup rod (1). Adjust as necessary to open and close drain.

NB. The drain can also be adjusted with the screw in the center part of the body (52).

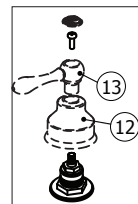
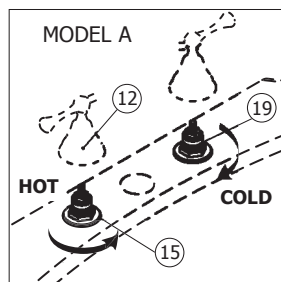


## 4 MOUNTING THE HANDLES ON THE VALVES

**A.** For **model A,B**, thread the bell (12) onto the body of the hot/cold valves (15) (19).

For **model B** mount the handles on the cartridge broach (15) (19) and fix them with the screws and put the decorative cap.

**B.** For **model A,B**, check the quarter turn movement of each handle and verify the position and that each handle is in good working order.



MODEL B

## 9 AFTER WATER CONNECTION

**A.** Installer must supply hot and cold water supply connections to the valves and a trap for the drain.

**B.** With all the connections made, remove the aerator from the bidet spray.

**C.** Turn the water on at the supply. Check all your joints for leaks. Turn the hot/cold valves on gradually and be careful your bidet spray is not turned onto spray. Divert slowly back and forth to check your vacuum breaker-diverter is working properly from the bidet spray to the bowl. Hold your hand over the spray when operating. Check all the joints for leaks. Tighten as needed.

**D.** Replace bidet spray aerator.

**NOTE:** When the bidet is diverted to spray mode, the water will continue to come out of the front hole or the rim of the bidet body. This is normal and is designed to clean the bowl when in operation

## Care Entretien

To clean your Aquabrand faucet or accessory, wash with a wet nonabrasive soapy cloth. Then wipe dry with a soft towel or cloth. We recommend this be done on a regular basis.

DO NOT USE ANY ABRASIVE, CHEMICAL OR CORROSIVE, POWDER OR ANY OTHER STRONG CLEANERS INCLUDING DETERGENTS, WINDOW CLEANERS AND DISINFECTANTS ON YOUR Aquabrand PRODUCT as they will destroy the finish and therefore VOID THE WARRANTY.

Toothpaste remnants should also be rinsed off when necessary. Ask your plumbing retailer about our PROTECTANT-CLEANER now available from Aquabrand. This product is specially manufactured to clean and polish leaving a protective coating to maintain your product's shine and finish.

Pour nettoyer et conserver l'apparence de vos robinets ou accessoires Aquabrand, lavez-les avec un linge mouillé à l'eau tiède et enduit d'un savon doux non-abrasif. Puis essuyer avec un linge doux et sec. Nous vous recommandons cet entretien sur une base régulière.

NE JAMAIS UTILISER DE PRODUITS ABRASIFS, CHIMIQUES, CORROSIFS, INCLUANT DE TRÈS FORTS DÉTERGENTS, EN LIQUIDE OU EN POUDRE, NETTOYANTS POUR VITRES ET DÉSINFECTANTS sur votre produit Aquabrand. Cela pourrait en détériorer le fini et ANNULER LA GARANTIE.

Les restants de pâte dentifrice doivent aussi être rincés au besoin. Demander à votre détaillant le PROTECTEUR NETTOYANT Aquabrand spécialement conçu pour nettoyer, faire briller et protéger en laissant un mince film protecteur sur vos robinets et vos articles décoratifs.

## Limited lifetime warranty

All Aquabrax products carry a full warranty against defects in materials and workmanship. The warranty will be applied only if the product is purchased from an authorized Aquabrax dealer. The Aquabrax warranty is limited strictly to the original consumer purchaser of the product. Proof of purchase must be made available to Aquabrax for all limited warranty claims. Products that are deemed defective must be returned to our factory for inspection prior to replacement.

The limited warranty is not transferable and is limited to products sold and installed in Canada and the United States.

### Residential applications

Mechanical working parts including ceramic disc cartridges for both side valves and pressure balance, thermo cartridges, stops, diverters etc.

All carry our full limited lifetime warranty to the original purchaser.

Aquabrax polished chrome and brushed nickel finishes are warranted for the life of the product to the original purchaser.

All other finishes will be warranted for five years.

Normal wear of the finish is not covered by this warranty.

All electronic components and faucets are warranted for two years.

All glass and ceramic basins, light fixtures are warranted for one year. Stone resin bathtubs and sinks are warranted for five years. Light bulbs are subject to the warranty of the manufacturer and carry no Aquabrax warranty.

All other Aquabrax products are warranted for five years.

### Commercial industrial applications

All the above product applications will be warranted for two years with the exception of the glass and ceramic basins, light fixtures which will carry a one year warranty. Light bulbs are subject to the warranty of the manufacturer and carry no Aquabrax warranty.

The Aquabrax warranty does not cover the following:

- Damages resulting in whole or part from installation error, product abuse, misuse, neglect, improper maintenance, abrasives, corrosion and/or accidents whether caused or performed by a professional or anyone else.
- Any and all Aquabrax products that are subjected to any type of harsh abrasive, such as detergents or window cleaners.
- Normal wear of the finish.
- The damage is caused by hard water, calcareous deposits or sediments.
- The damage or loss is sustained in a natural calamity such as fire, earthquake, flood, thunder, electrical storm, etc.

Aquabrax is not responsible for any labor or shipping charges, or damages whatsoever incurred in whole or in part from installation, removal, re-installation, repair or replacement of any Aquabrax product or part, as well as any incidental or consequential damages, expenses, losses, direct or indirect, arising from any cause whatsoever.

To obtain warranty service, please contact the retailer where the product was purchased. The original sales receipt must be available to exercise our warranty.

This warranty is extended to the first purchaser at retail. This warranty is NOT transferrable.

Aquabrax reserves the right to make product specification changes without notice or obligation and to change or discontinue certain models.

## Garantie limitée à vie

Les produits Aquabrax ont une garantie complète contre les défauts de matériel et de main d'œuvre. La garantie est applicable seulement si le produit est acheté chez un détaillant aquabrax dûment autorisé. La garantie Aquabrax est strictement limitée au premier acheteur et une preuve d'achat doit être présentée pour toutes réclamations. Les produits considérés comme défectueux doivent être retournés à nos entrepôts pour inspection avant tout remplacement.

La garantie Aquabrax n'est pas transférable et est limitée aux produits vendus et installés au Canada et aux États-Unis.

### Applications résidentielles

Toutes les parties mécaniques incluant les cartouches à disques en céramique pour les valves et les pressions équilibrées, les cartouches thermostatiques, les déviateurs ont une garantie complète au premier acheteur.

Les finis Chrome Poli et Nickel Brossé de Aquabrax ont une garantie à vie limitée au premier acheteur. Tous les autres finis ont une garantie de cinq (5) ans. L'usure normale d'un fini n'est pas couverte par la garantie.

Toutes les composantes et les robinets électroniques ont une garantie de deux (2) ans.

Tous les bassins en verre, les bassins en porcelaine, les lumières ont une garantie de un (1) an. Les baignoires et lavabos en composite de résine ont une garantie de cinq (5) ans.

Les ampoules sont sujettes à la garantie du fabricant et ne sont pas couvertes par la garantie Aquabrax.

Tous les autres produits ont une garantie de cinq (5) ans.

### Applications commerciales et industrielles

Tous les produits ci-dessus sont garantis pour deux (2) ans à l'exception des bassins en verre ou porcelaine qui sont garantis un (1) an. Les ampoules sont sujettes à la garantie du fabricant et ne sont pas couvertes par la garantie Aquabrax.

La garantie Aquabrax ne couvre pas:

- Dommages causés en entier ou en partie d'une erreur d'installation, d'abus de produit, de négligence, d'utilisation non conforme, d'usage de produits abrasifs, de corrosion et/ou d'accidents causés par un professionnel ou par toute autre personne.
- Tout produit Aquabrax nettoyé avec des produits abrasifs, comme les détergents ou les nettoyeurs à vitres.
- Usure normale du fini.
- Dommages causés par l'eau dure, les dépôts de calcaire ou les sédiments.
- Les dommages ou les pertes résultant d'une catastrophe naturelle telle qu'un feu, un tremblement de terre, le tonnerre, un orage électrique etc...

Aquabrax n'accepte aucune responsabilité pour tous frais de main d'œuvre ou d'expédition, ou pour tous autres dommages causés en tout ou en partie lors de l'installation du produit, son enlèvement, sa réinstallation, sa réparation, ou le remplacement de tout produit ou pièce Aquabrax ainsi que tout dommage incident ou résultant, dépense, perte directe ou indirecte, provenant de quelque cause que ce soit.

Pour obtenir la garantie de service, s'il vous plaît contacter le détaillant chez qui le produit a été acheté. La preuve d'achat originale sera exigible pour l'application de la garantie.

Cette garantie s'applique au premier acheteur au détail et n'est PAS transférable.

Aquabrax se réserve le droit de modifier des caractéristiques de ses produits sans avis ni obligation ainsi que de remplacer ou de retirer certains modèles.

