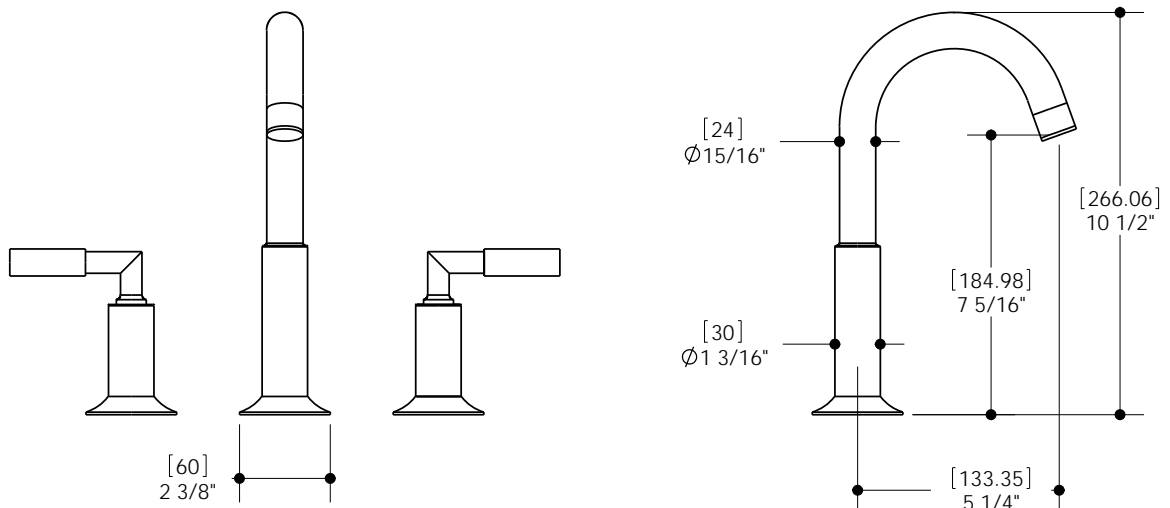
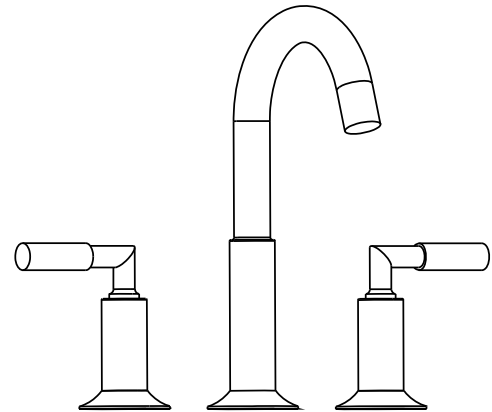


TECHNICAL SPECIFICATION

FEATURES

- Brass construction
- Pop up drain
- 2.2 GPM



CHOICES OF HANDLES

