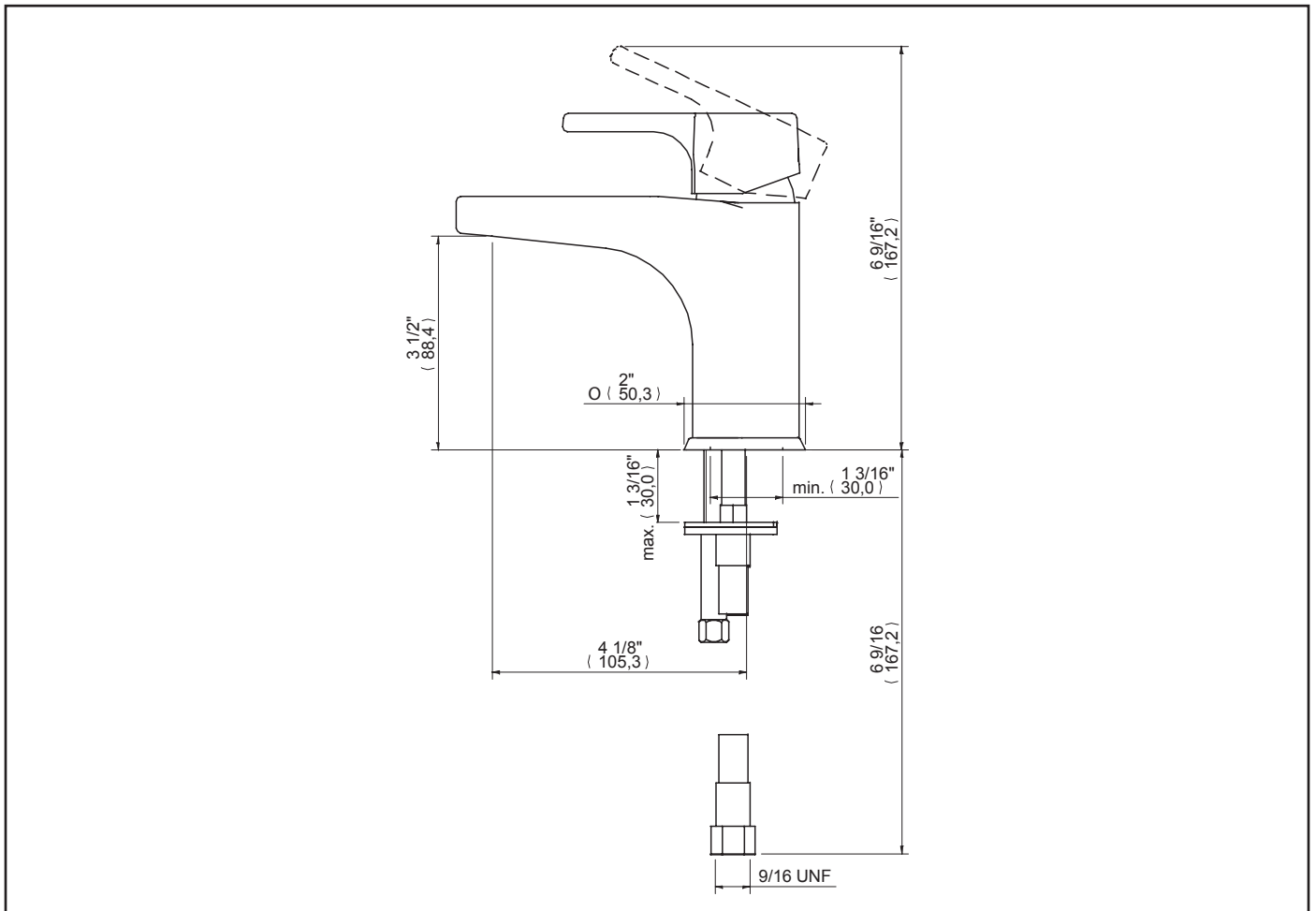


TECHNICAL SPECIFICATIONS

FEATURES:

- Solid brass construction
- High quality finishing
- 2.5 GPM
- Single lever control



SERVICE PARTS

