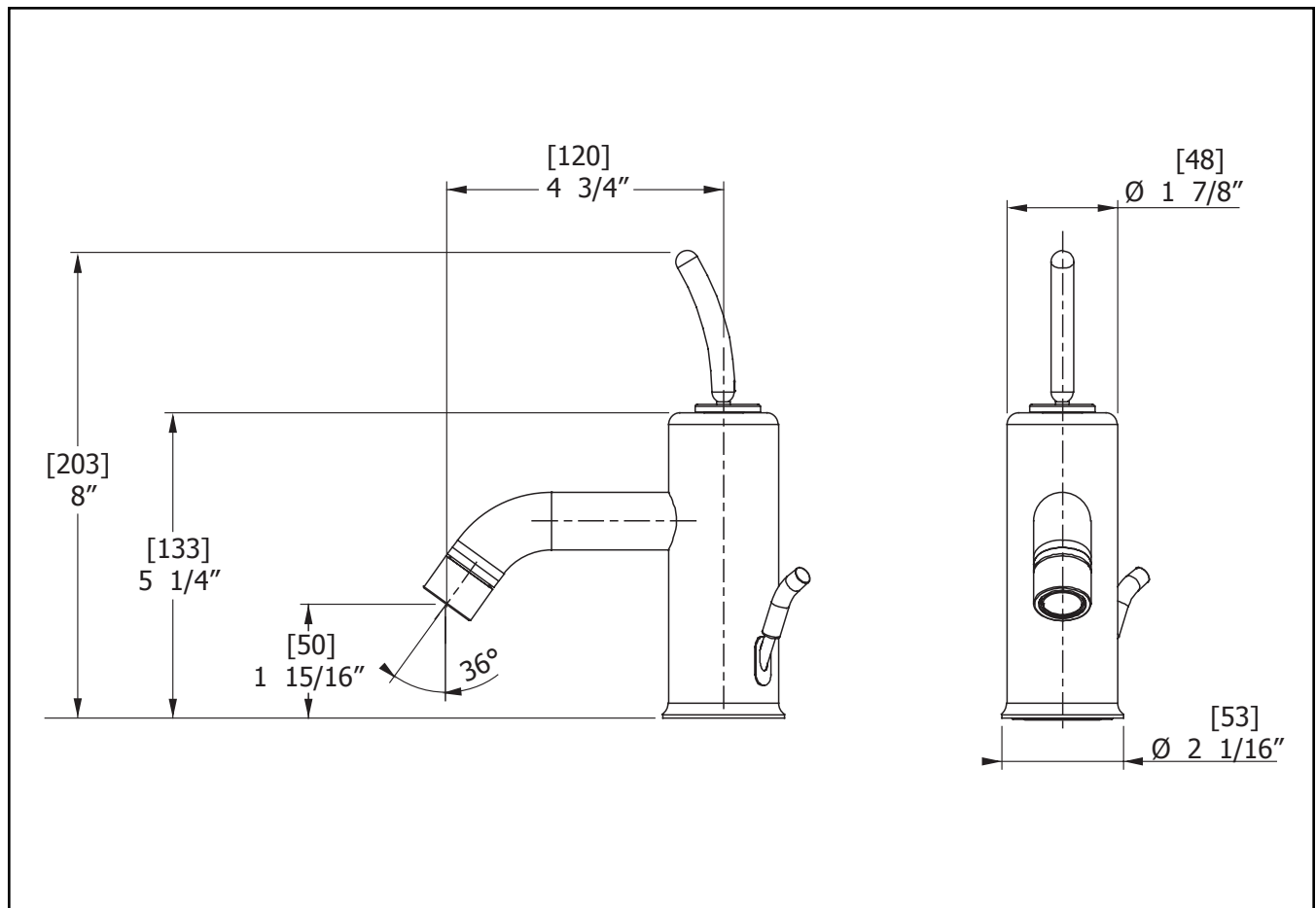
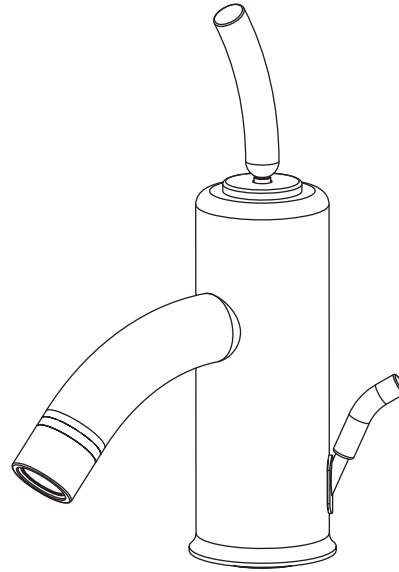


TECHNICAL SPECIFICATIONS

FEATURES:

- Stainless steel construction
- High quality finishing
- Mechanical drain
- 2.2 GPM



SERVICE PARTS

