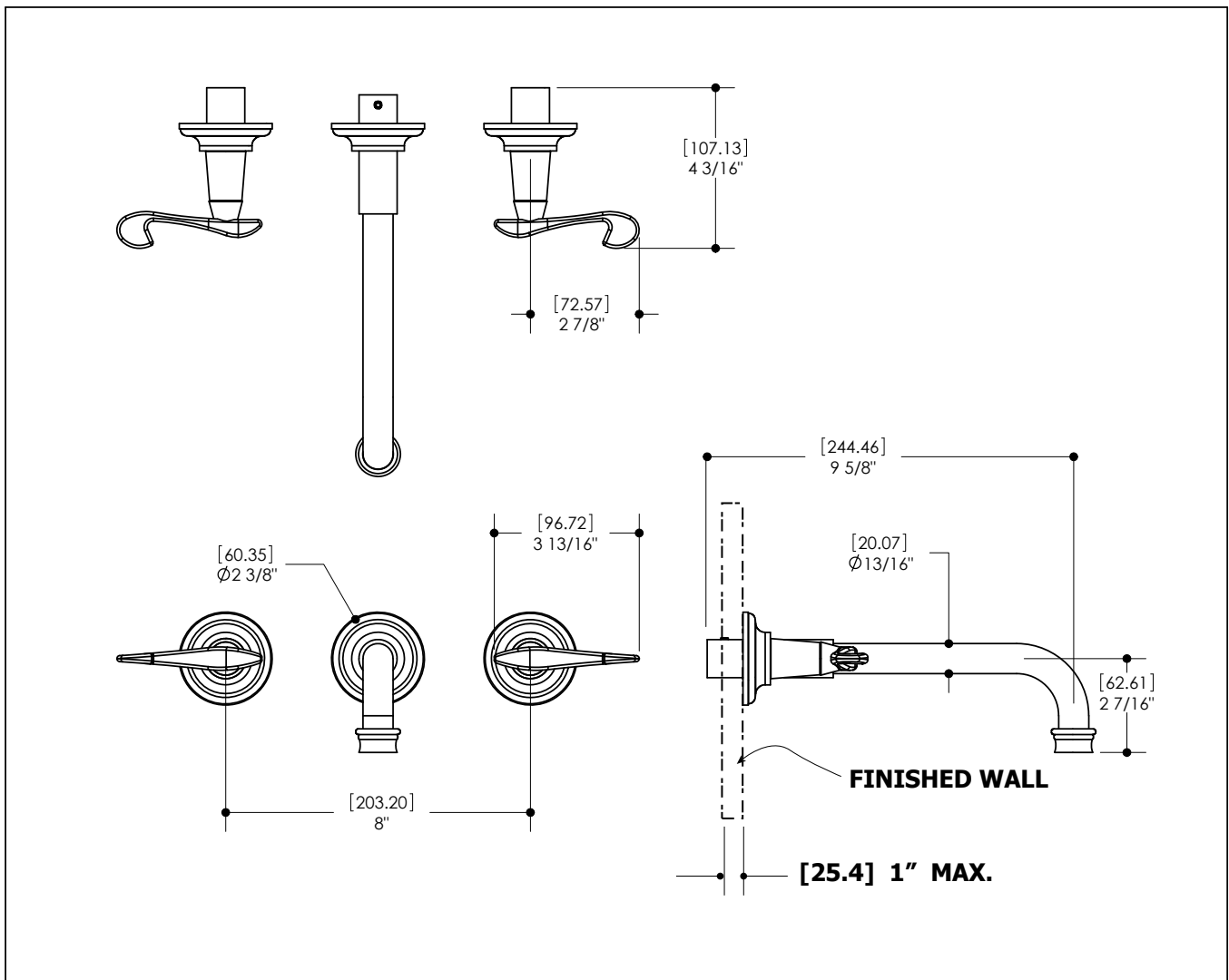
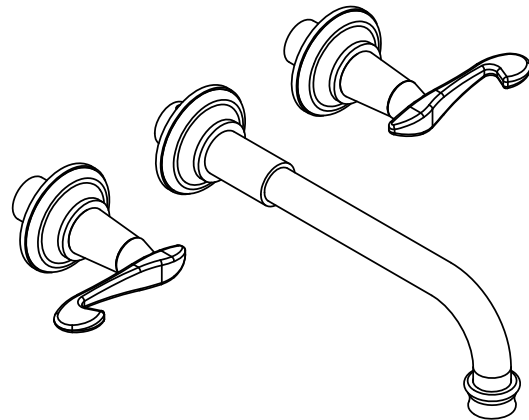


TECHNICAL SPECIFICATION

FEATURES

- Solid Brass construction
- High quality finishing
- 1/2 N.P.T. connection
- 2.2 GPM



SERVICE PARTS

